

MODELS
Contour
Profile



Serial No.

CONTENTS

Advisory	4-5
Acoustics	6
Installation	7-12
Troubleshooting	13

ADVISORY

IMPORTANT INFORMATION

READ THE FOLLOWING INFORMATION CAREFULLY BEFORE USING THIS PRODUCT

This Lifestyle by A.H. Beard™ has been quality engineered with design features to assure comfort and safety when operated properly.

ELECTRICAL GROUNDING

This product is equipped with a polarized, grounded electrical power cord. The power cord will only fit into a grounded, electrical surge protection device (not included) or a grounded electrical outlet.

⚠ WARNING

FOR OPTIMUM ADJUSTABLE BED OPERATION, USE A GROUNDED, ELECTRICAL SURGE PROTECTION DEVICE (NOT INCLUDED). FAILURE TO USE A SURGE PROTECTION DEVICE COULD COMPROMISE SAFETY OR CAUSE PRODUCT MALFUNCTION.

WARRANTY WARNING

Do not open any control boxes, motors or hand control devices (with the exception of the hand control and power down box battery compartments). The product warranty will be void if these components are tampered with. Do not attempt to alter component wiring or adjust or modify the structure of the product in any way or the warranty will be void. Any repair or replacement of adjustable bed parts must be performed by authorized personnel.

LUBRICATION

This product is designed to be maintenance free. The lift motors are permanently lubricated and sealed—no additional lubrication is required. Do not apply lubricant to lift motor lead screws or any nylon nuts or the bed may inadvertently creep downward from the elevated position.

PRODUCT RATINGS

The bed lift motors are *not* designed for continuous use. Reliable operation and full life expectancy will be realized as long as the lift motors do not operate any more than five (5) minutes over a thirty (30) minute period, or approximately 15% duty cycle. **Note: massage equipped beds are not designed for continuous, extended massage operation. Massage systems are rated for a maximum of 2 hours of use within any 6 hour period.** Any attempt to circumvent or exceed product ratings will shorten the life expectancy of the product and may void the warranty.

The recommended weight restrictions for Lifestyle™ adjustable beds are as follows: Single-136.07kg (300 lbs), Double-170.09kg (375 lbs) and Queen-192.77kg (425 lbs). The bed will structurally support the recommended weights distributed evenly across the head and foot sections. This product is not designed to support or lift this amount only in the head or foot sections alone. **Note: exceeding the recommended weight restrictions could damage your adjustable bed and void your warranty.**

For best performance, consumers should enter and exit the Lifestyle™ adjustable bed with the bed in the flat (horizontal) position. **DO NOT SIT ON THE HEAD OR FOOT SECTIONS WHILE IN THE RAISED POSITION.**

ADVISORY

IMPORTANT INFORMATION

READ THE FOLLOWING INFORMATION CAREFULLY BEFORE USING THIS PRODUCT

This Lifestyle by A.H. Beard™ has been quality engineered with design features to assure comfort and safety when operated properly.

SMALL CHILDREN / PETS WARNING

After the bed is unboxed, immediately dispose of packaging material as it can smother small children and pets. To avoid injury, children or pets should not be allowed to play under or on the bed. Children should not operate this bed without adult supervision.

HOSPITAL USE DISCLAIMER

This bed is designed for in-home use only. It is not approved for hospital use and does not comply with hospital standards. Do not use this bed with tent type oxygen therapy equipment, or use near explosive gases.

PACEMAKER WARNING

This product produces a vibrating sensation. It is possible that individuals with heart-assist pacemakers may experience a sensation similar to exercise. Consult physician for complete information.

SERVICE REQUIREMENTS

Service technicians are not responsible for moving furniture, removing headboards and footboards or any items required to perform maintenance on your adjustable bed. In the event the technician is unable to perform service due to lack of accessibility, the service call will be billed to the purchaser and the service will have to be rescheduled.

LOCKING CASTOR SAFETY FEATURE

(If applicable)

Many Lifestyle™ adjustable bed models are equipped with locking castors to prohibit the bed from movement. For best results, place rubber castor cups under locking castors when the bed is located on smooth or hard surface flooring—it is possible for locking castor equipped beds to slide without the use of rubber castor cups.

To activate locking castors, push down on the lock tab. To disengage the locking mechanism, lift up the lock tab (*see illustration below*).

LOCKING CASTOR
DETAIL



ACOUSTICS

LIFTING/LOWERING MECHANISMS

The lift/lower feature will emit a minimal humming sound during operation. This is normal.

During operation, the lift arm wheels make contact with the platform support of the bed. This applies slight tension on the moving components and resonance is reduced to a minimum level. If excessive noise or vibration is experienced, reverse the movement action (up or down) of the bed with the hand control. This should realign the bed's activating mechanisms to the proper operational position.

MASSAGE OPERATION

The massage feature will emit a minimal tone during operation. This is normal. When the massage level is increased, motor resonance will intensify accordingly.

LOCATION ENVIRONMENT

The level of sound experienced during operation is directly related to the location environment. For example, when a bed is located on a hardwood floor with the massage feature in operation, a vibrating tone will be audible. To minimize this resonance, place a piece of carpet—or optional rubber caster cups—under each leg or caster of the bed.

It is possible to experience vibration or noise from the headboard brackets, headboards or footboards if mounting bolts are not firmly tightened.

INSTALLATION

For Lifestyle by A.H. Beard™ installation and setup, complete the numbered procedure indicated below and on the following pages:

1. Before discarding any packing materials, check the adjustable bed shipping carton and verify the following items are included:

- (4) 2 inch Bed Legs
- (4) 4 inch Bed Legs
- (4) Screw-in Locking Leg Castors
- (2) Headboard Bracket Assemblies
- (1) Headboard Bracket Hardware Kit
- (1) Hand Control
- (1) Owners Manual
- (1) Hand Control Guide



HAND CONTROL
Hand controls vary, see Hand Control Operation Guide for complete information.



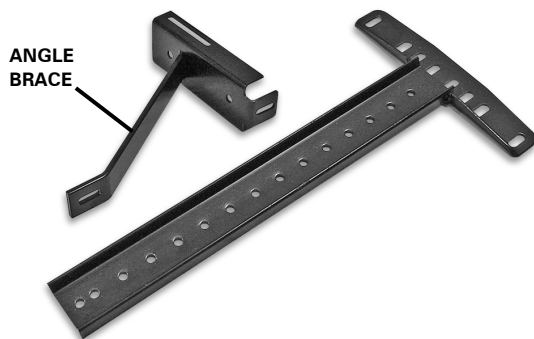
2 INCH LEG
(4 pieces)



4 INCH LEG
(4 pieces)



LOCKING LEG CASTOR
(4 pieces)



HEADBOARD BRACKET ASSEMBLIES
Queen size shown—twin size (or smaller) headboard brackets are not equipped with angle brace.
(4 pieces, 2 assemblies)



HEADBOARD BRACKET HARDWARE KIT
(hardware: 16 pieces)

INSTALLATION

- Carefully lift the bed base frame from the shipping carton, keeping the unit top-side-down.
- Install (4) legs into the base frame. *Note: Bed comes equipped with (4) 2 inch legs and (4) 4 inch legs which can be used separately or in combination to adjust bed height.* Simply screw each leg into a threaded hole at each corner of the base frame (**FIGURE 1**). Screw castors into the bottom of each bed leg (if applicable).



FIGURE 1: Leg and castor installation.

- Remove and extend out power cord from the protective packaging.

⚠ WARNING
POWER CORDS MUST NOT INTERFERE WITH ANY ADJUSTABLE BED MECHANISMS.

- For beds equipped with power down box, install (2) 9 volt batteries into the power down box (**FIGURES 2 and 3**). *Note: beds not equipped with a power down box do not require batteries.*



FIGURE 2: Power down box battery compartment door removal.

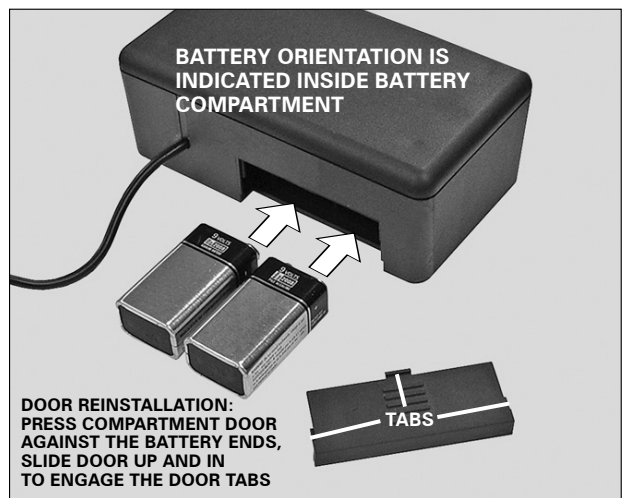


FIGURE 3: Power down box battery installation and battery compartment door reinstallation.

- Remove the plastic packaging from the bed base frame. Carefully rotate the base frame over to position the bed top-side-up.
- Plug power cord into a working, grounded electrical outlet. *Note: an electrical surge protection device is recommended (not included).*
- If hand control is non-wired type, install batteries in hand control (wired hand controls do not require batteries). Briefly activate all functions of the bed with the hand control to verify all features are in working order. If bed does not operate, refer to the *Troubleshooting* section of this manual.
- Return bed to the level position.

INSTALLATION

MATTRESS INSTALLATION

A.H. Beard Lifestyle™ mattresses come equipped with a Clip Lock™ attachment system. The Clip Lock™ attachment system prevents the mattress from slipping off the bed when in use.

Note: for Contour or Profile adjustable bed bases to be used with mattress other than A.H. Beard Lifestyle™ type, see Alternate Mattress Retainer Installation insert provided with product.

Clip Lock™ Attachment

10. Install A.H. Beard Lifestyle™ mattress with the Clip Lock™ attachment system as follows:

- a. Position mattress on Lifestyle™ adjustable bed base. Locate the (2) Clip Lock™ components attached to the left and right sides of the mattress and bed base (FIGURE 4).



FIGURE 4: Clip Lock™ components.

- b. The Clip Lock™ attachment system consists of two(2) interlocking clips located on the bottom side of the mattress and the top side of the bed base (FIGURE 5).

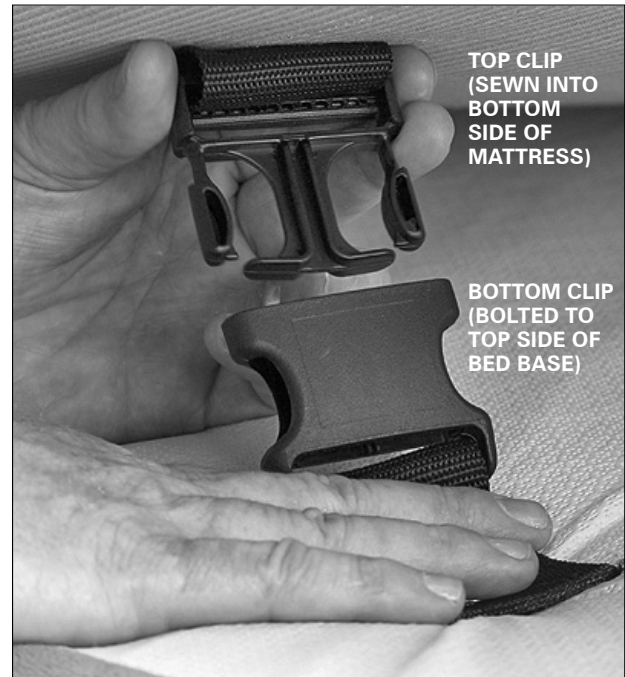


FIGURE 5: Clip Lock™ component location.

INSTALLATION

- c. On one side of the bed, lift the mattress slightly to gain access to the Clip Lock™ components. Grasp and hold each section of the clip in separate hands (FIGURE 6).
- d. Insert top clip into bottom clip. Slide top clip down until it clicks securely into place (FIGURE 6).

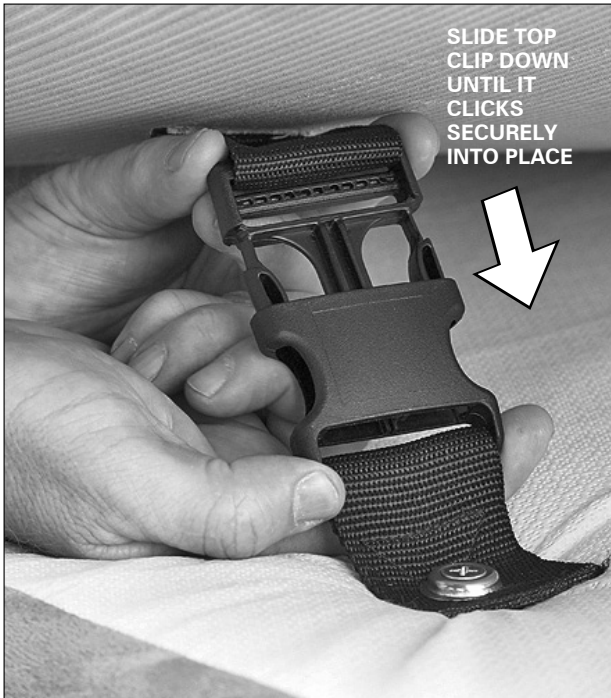


FIGURE 6: Clip Lock™ Lifestyle™ mattress installation.

- e. Repeat the procedure for Clip Lock™ Lifestyle™ mattress installation on the other side of the bed.

Note: if Lifestyle™ adjustable bed is to be set up without a headboard, installation is complete. If headboard is to be installed, proceed to step 11.

11. Install headboard brackets to the bed base frame. When attaching (2) twin size units to a king size headboard, use a swing hinge kit (see accessory sheet) to connect the twin units.

NOTE

FAILURE TO FOLLOW HEADBOARD BRACKET INSTALLATION INSTRUCTIONS MAY CAUSE HEADBOARD BRACKET INTERFERENCE WITH BASE FOAM DURING ADJUSTABLE BED OPERATION. BASE FOAM OR BASE COVER DAMAGE COULD RESULT.

Note: it is important to position the bottom of the headboard cross member a maximum distance of 76.2mm (3 inches) between the headboard and the top of the mattress (FIGURE 7). Do not exceed 76.2mm (3 inches).

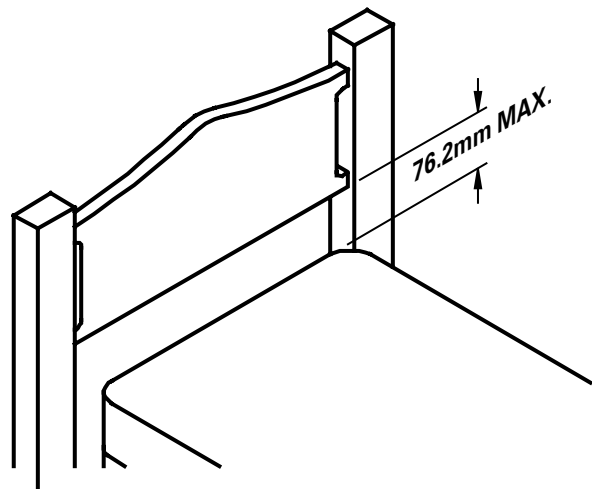


FIGURE 7: headboard cross member location must not exceed 3 inches (76.2mm) from the top of the mattress.

INSTALLATION

12. Install headboard bracket assemblies per the following procedure:

- a. Raise the head section of the bed (with hand control) to gain access to the bed base frame.
- b. Slide one headboard bracket channel onto one side of the bed base frame. Using (2) carriage bolts/nuts (**FIGURE 8**) attach channel to base frame (**FIGURE 9**). Hand tighten bolts/nuts (loosely) to allow adjustment of the headboard bracket channels. Repeat procedure to install the other headboard bracket channel to the other side.

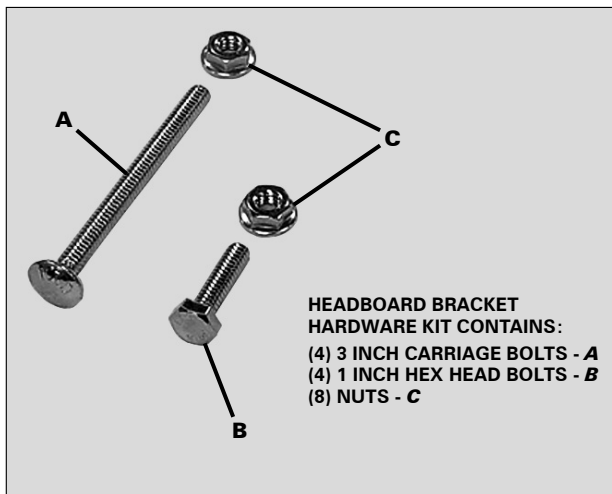


FIGURE 8: Headboard bracket hardware .



NOTE

QUEEN SIZE HEADBOARD BRACKET ASSEMBLIES ARE SHOWN. TWIN SIZE HEADBOARD BRACKETS (OR SMALLER) ARE NOT EQUIPPED WITH ANGLE BRACE (FIGURES 9 and 10).

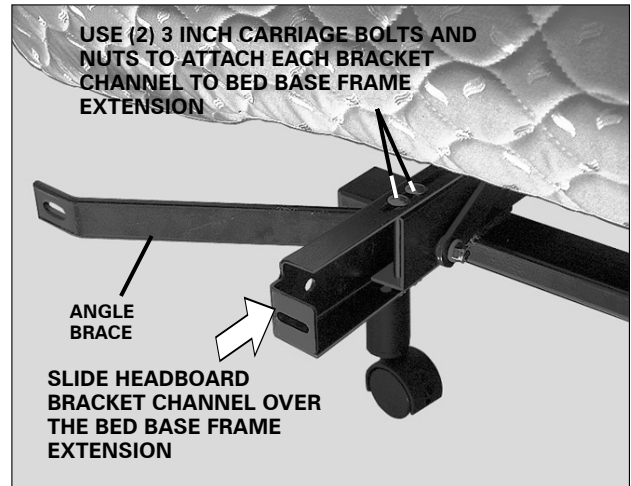


FIGURE 9: Headboard bracket channel installation (one each side of the head section of the bed).

- c. Attach one headboard bracket flange to one of the bracket channels with (2) hex head bolts/nuts (**FIGURE 10**). Tighten bolts. Repeat procedure to attach the other headboard bracket flange.

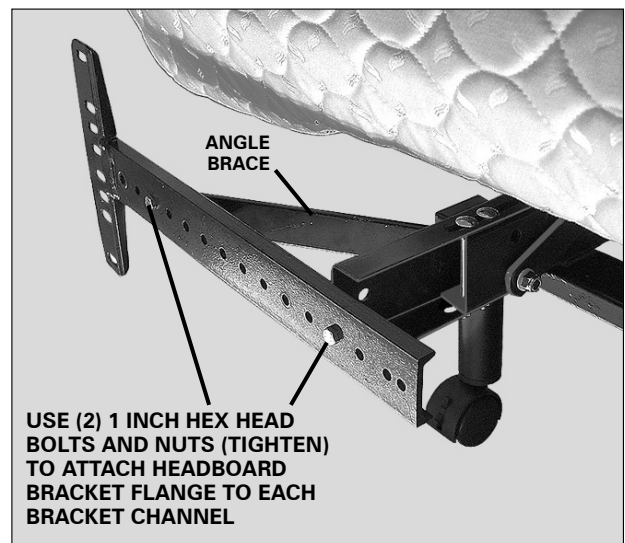


FIGURE 10: Headboard bracket flange installation (attach one flange to each of the headboard bracket channels).

INSTALLATION

d. Slide headboard bracket assemblies (in or out) to achieve a distance of 1.5 inches (38.1mm) to 2 inches (50.8mm) between the edge of the bed base and headboard bracket flange assemblies (**FIGURE 11**).

e. Firmly tighten the 3 inch carriage bolts of both headboard bracket channels.

f. Measure the distance (center-to-center) between the mounting holes in the headboard.

g. Measure the center-to-center distance between the mounting slots of the headboard bracket flanges (**FIGURE 12**).

h. If bracket flange adjustment is required to accept the headboard, remove the 1 inch headboard bracket flange bolts and move flanges side-to-side for the adjustment (**FIGURE 12**). Reinstall bolts and tighten.

i. Install headboard.

13. Install mattress on the bed base frame.

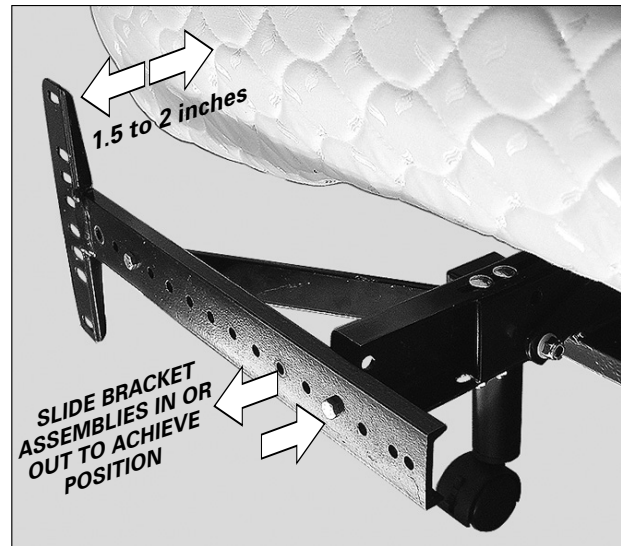


FIGURE 11: Headboard bracket position from the edge of the bed base frame.

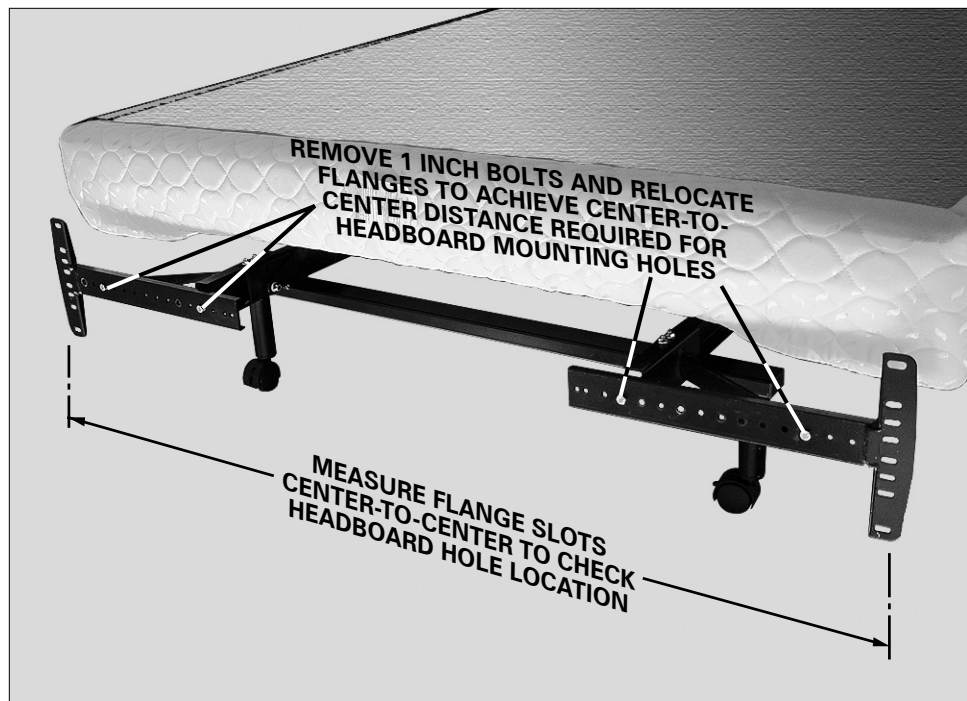


FIGURE 12: Headboard bracket measurement and adjustment to accept headboard.

Typical Lifestyle by A.H. Beard™ installation is now complete. If bed is equipped with programmable settings or options, refer to the *Hand Control Guide* for programming information.

TROUBLESHOOTING

In the event the Lifestyle by A.H. Beard™ fails to operate, investigate the symptoms and possible solutions provided in the chart below:

SYMPTOM	SOLUTION
Hand control illuminates and appears to be operable, but will not activate bed.	<ul style="list-style-type: none"> • Verify power cord is plugged into a working, grounded electrical outlet. <i>A grounded, electrical surge protection device is recommended.</i> Test outlet by plugging in another working appliance.
No features of the Lifestyle™ adjustable bed will activate.	<ul style="list-style-type: none"> • Program the hand control (see <i>Hand Control Guide</i>, included with this product, for programming procedures). If equipped with power down box, make certain power down box is easily accessible. Relocate power down box if required. • Unplug power cord, wait 30 seconds and plug in to reset electronic components. • Electrical circuit breaker may be tripped. Check electrical service breaker box to verify. • Defective surge protection device or electrical outlet. Test outlet by plugging in another working appliance.
Hand control will not illuminate.	<ul style="list-style-type: none"> • Replace batteries in the hand control.
Head or foot section will elevate, but will not return to the horizontal (flat) position.	<ul style="list-style-type: none"> • Bed mechanism may be obstructed. Elevate bed and check for obstruction. Remove obstruction. • Head section may be too close to the wall. • Headboard may be too close the edge of the mattress. Verify a 38.1mm (1.5") to 50.8mm (2") distance between headboard brackets and mattress. Adjust if required.
Excessive massage motor noise.	<ul style="list-style-type: none"> • Verify headboard brackets were removed during installation. Remove headboard brackets if still attached to the underneath side of bed. • If bed is located on hard surface flooring, place carpet pieces or rubber castor cups under each leg or castor of the bed. • Elevate the head or foot section a short distance (with the hand control) to realign the lift/lower mechanisms with the bed support platform. • Verify that bed is not positioned against a wall, nightstand, or other object that may cause vibration or noise. • If Lifestyle™ adjustable bed is installed over a bed frame, verify massage motors are not causing bed frame (or bed frame components) to vibrate. • Verify that headboard attachment hardware is tightened firmly (if used).

Lifestyle
BY A . H . BEARD™